

# SAFETY SHUT-OFF VALVES

## Series VSA...SR

Gas safety solenoid shut-off valve series VSA...SR approved according to the Norm EN 161 with product identification and manufactured according to Atex rule 94/9/CE - Zone 2 and 22 (II 3G – II 3D), are suitable for the automatic control of gases belonging to the first, second and third family.

On request versions for biogas and air available also.

These valves, normally closed for continuous and cyclic operation, open by powering the coil and close quickly when there is no tension.



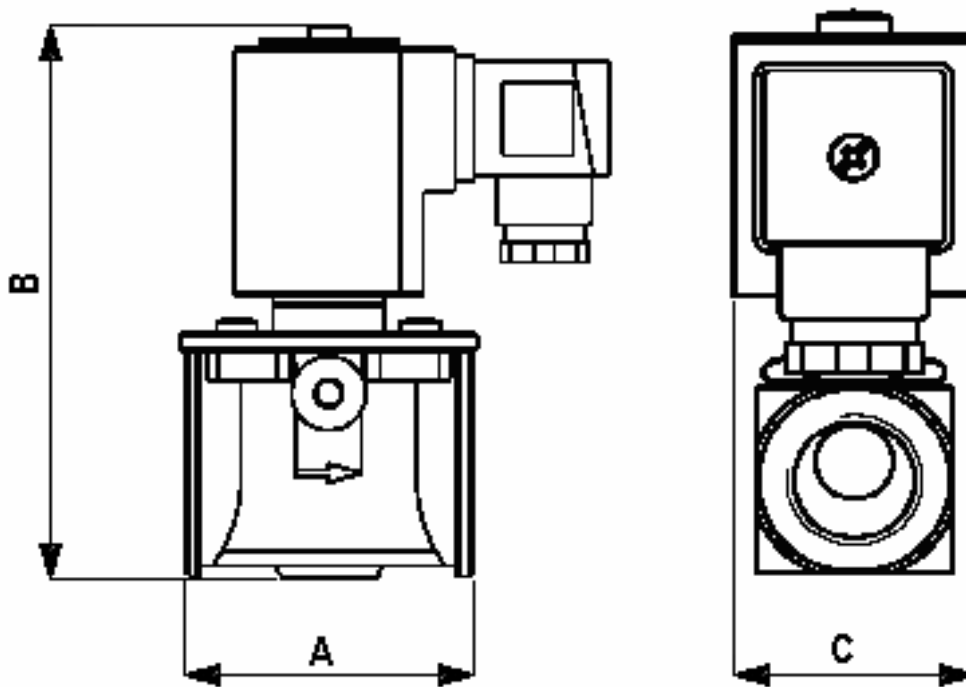
### TECHNICAL FEATURES

Valve body	: die-cast aluminium	Standard supply voltage	: 230 Vac
Pipe connections	: Rp ½, Rp ¾, Rp 1 according to EN10226	Frequency	: 50 ÷ 60 Hz
Inlet pressure	: 200 mbar	Enclosure	: IP 65 – IEC 529
Opening / closing time	: < 1 second	Supply voltage tolerance	: -15% - +10%
Ambient temperature	: -20 / +60 °C	Duty cycle	: continuous

### FEATURES

- Class A, Group 2 according to EN161
- Electromagnetic Compatibility – Directive 2004/108/CE
- Low voltage – Directive 2006/95/CE
- ATEX zones 2 and 22 (II 3G – II 3D) – Directive 94/9/CE
- Normally closed
- Quick opening and closing
- Quiet operation
- PA resin encapsulated coils
- Pressure test points at inlet by both sides
- Accessories on request: by-pass, limit switch, max flow adjustment

# MODELS AND RATING



Pipe [Rp]	Max. pressure [mbar]	Rating [VA]	Dimension [mm]				Weight [kg]	Code
			A	B		C		
				R	RP			
1/2"	200	18	70	137	150	74	0,85	VSA..215C.. / SR
3/4"			70	137	150	74	0,85	VSA..220C.. / SR
1"			70	137	150	74	0,80	VSA..225C.. / SR

# MODELS

**VSA = Safety shut-off valve in aluminium**

**Operation**

**R** = Quick

**RP** = Quick with max. flow adjustment

**Max. pressure**

**2** = 200 mbar

**Nominal diameter**

**15** = Rp 1/2

**20** = Rp 3/4

**25** = Rp 1

**Supply voltage**

**C** = 230 Vac / 50-60Hz

**Other accessories**

**BP** = by-pass

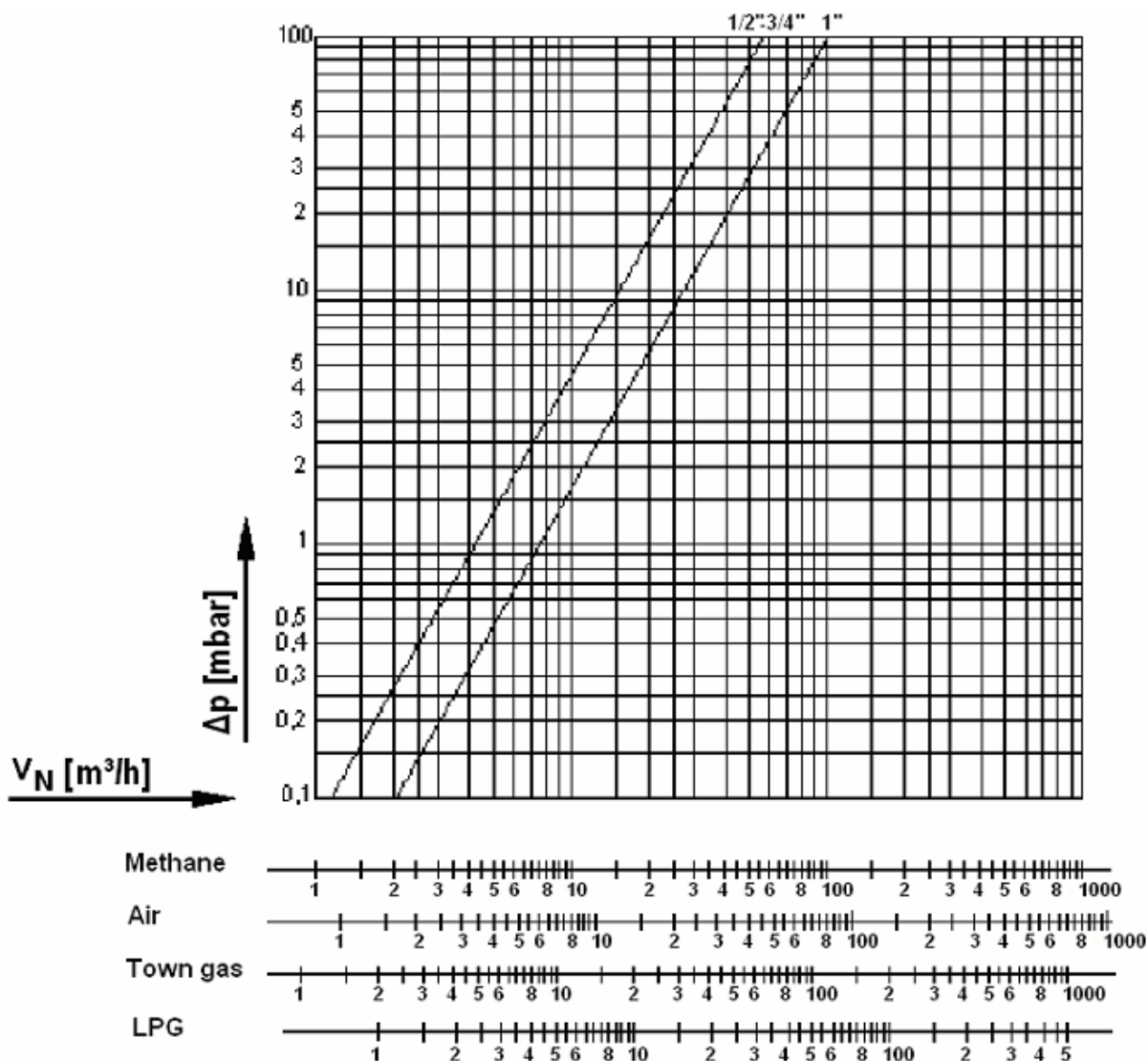
**I** = signal lamp by valve feeding [in the connector]

**M** = limit micro-switch

**BG** = biogas version

VSA RP 2 25 C BP / SR

## FLOW DIAGRAM



## WIRING INSTRUCTIONS



### WARNING

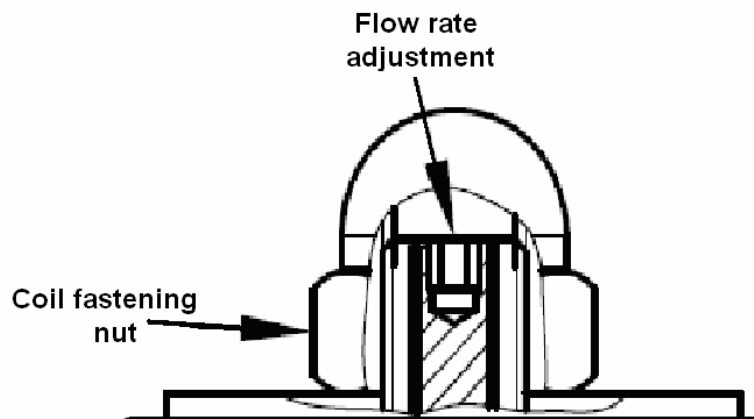
Installation, adjustment and maintenance of the valve must be carried out exclusively by skilled and authorized service technicians.

1. Before electric wiring, check that the main voltage matches with the power supply voltage stated on the product label.
2. Disconnect power before wiring.
3. By wiring connector, use terminals and cables as reported in the Instruction leaflet in the package.
4. Connect the power supply to terminals 1 and 2 and the ground wire to terminal  $\perp$

## INSTALLATION AND OPERATING INSTRUCTIONS

1. Make sure that all operating data indicated on the safety shut-off valve label correspond to those of the system.
2. Before installing the safety shut-off valve, quit the gas supply and make sure that the pipeline is free from impurities. The pipeline must be vibration-free.
3. The flow direction indicated by the arrow on the valve body must be respected, facing towards the user appliance. The safety valve can be installed either horizontally or vertically, provided that the coil is not turned downwards.
4. By installing on threaded device, check the pipeline length: overlong threads may damage the body of the device when joined.
5. When installing the safety shut-off valve in pipework do not use the coil as a lever, but the correct wrench.
6. The sealing material must be applied to the external thread of the pipeline only and not to the internal thread of the safety shut-off valve.

## ADJUSTMENT OF FLOW RATE



Unscrew the nut and spin the internal screw:

- clockwise  $\curvearrowright$  to reduce the flow rate
- counter clockwise  $\curvearrowleft$  to increase the flow rate

All the reported data are subject to be changed without notice.

Form 130905